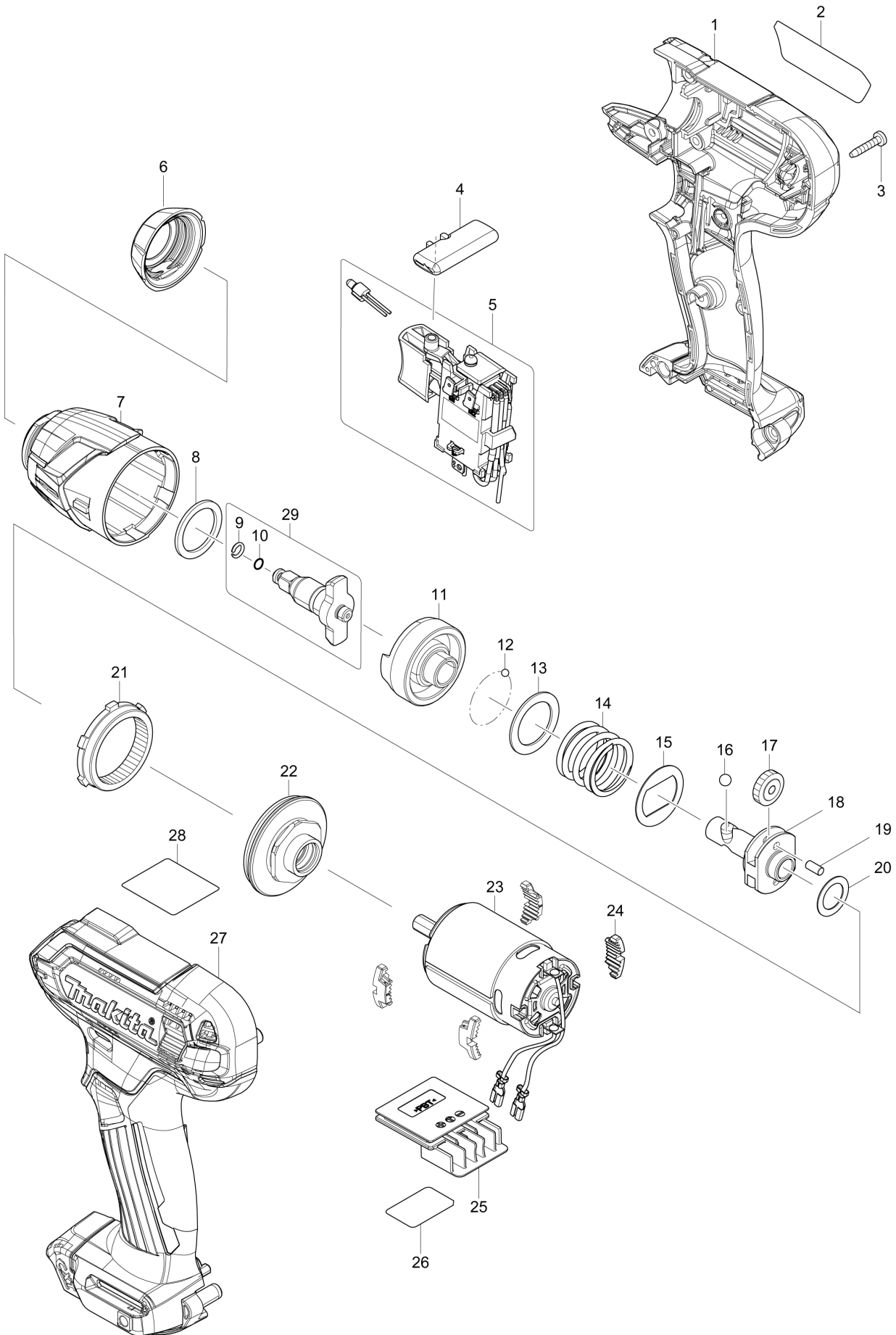


(VN) TW060D / CORDLESS IMPACT WRENCH



VN	VIETNAM
-----------	----------------

TW060D / CORDLESS IMPACT WRENCH

Item	Sub	Parts No.	Parts Description	Qty	I/C	E/C No.	Close No.	Remark
001		183J75-5	HOUSING SET	1				
	C10	252126-6	HEX. LOCK NUT M4-7	2				
	D10		INC. 27					
002		855H72-6	TW060D NAME PLATE	1				
003		266429-2	TAPPING SCREW 3X16	8				
004		456039-5	F/R CHANGE LEVER	1				
005		632M06-4	SWITCH UNIT	1				
	C20	620625-0	LED CIRCUIT	1		C6621		
006		422228-4	BUMPER	1				
007		140B03-5	HAMMER CASE COMPLETE	1				
	C10	213166-9	O RING 12.5	1				
008		261140-1	NYLON WASHER 20	1				
009		259065-1	RING SPRING 5	1				
010		213014-2	O RING 3	1				
011		327236-9	HAMMER	1				
012		216019-1	STEEL BALL 3	24				
013		267380-9	FLAT WASHER 20	1				
014		234064-4	COMPRESSION SPRING 21	1				
015		267813-4	WASHER 21	1				
016		216002-8	STEEL BALL 4.8	2				
017		226190-3	SPUR GEAR 18	2				
018		327127-4	SPINDLE	1				
019		268217-3	PIN 3.5	2				
020		253052-2	FLAT WASHER 12	1				
021		226191-1	INTERNAL GEAR 45	1				
022		140B04-3	BEARING BOX COMPLETE	1				
	C10	213188-9	O-RING 13	1				
023		632L96-1	MOTOR COMPLETE	1				
024		422273-9	CUSHION	4				
025		644813-5	TERMINAL	1				
026		855H78-4	TW060D SERIAL NO. LABEL	1				
027		183J75-5	HOUSING SET	1				
	C10	252126-6	HEX. LOCK NUT M4-7	2				
	D10		INC. 1					
029		136038-0	ANVIL ASS'Y	1				
	D10		INC. 9,10					
A01		266622-8	+ TRUSS HEAD SCREW M4X12	1				
A02		346909-5	HOOK	1				
A03B		821661-1	PLASTIC CARRYING CASE	1				
	C10	417724-5	LATCH	2				
A03C		821661-1	PLASTIC CARRYING CASE	1				
	C10	417724-5	LATCH	2				
A03D		821661-1	PLASTIC CARRYING CASE	1				
	C10	417724-5	LATCH	2				
A04B		***DC10SB	DC10SB BATTERY CHARGER	1				
	D10		COMPO-PARTS					
A04C		***DC10SB	DC10SB BATTERY CHARGER	1				
	D10		COMPO-PARTS					
A04D		***DC10SB	DC10SB BATTERY CHARGER	1				
	D10		COMPO-PARTS					
A05B		197393-5	BATTERY BL1016 SET	2				
A05C		197396-9	BATTERY BL1021B SET	2			C5226	
A05D		197406-2	BATTERY BL1041B SET	2			C5227	
A05-1C		197396-9	BATTERY BL1021B SET	2	O	C5226		
A05-1D		197406-2	BATTERY BL1041B SET	2	O	C5227		
A06B		456128-6	BATTERY COVER	1				
A06C		456128-6	BATTERY COVER	1				
A06D		456128-6	BATTERY COVER	1				

B:TW060DSYE(H)
C:TW060DSAE(H)
D:TW060DSME(H)

Interchange
O : Yes
X : No
< : the new part can be substituted for the current.
> : the current part can be substituted for the new.
S : Interchangeable as a set.